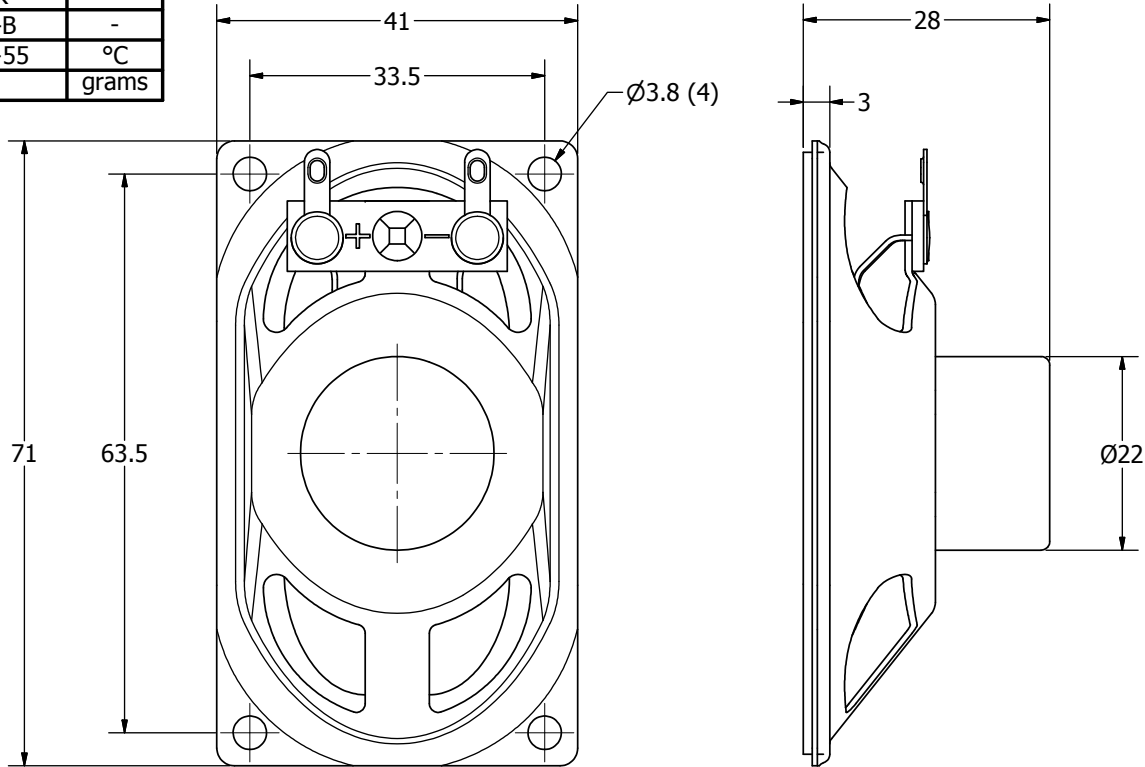


SPECIFICATIONS		
PARAMETERS	VALUES	UNITS
RATED INPUT POWER	4	W
MAX INPUT POWER	6	W
IMPEDANCE	8 ± 15%	OHM
OUTPUT SPL @ 1W/1M (AT 1.0, 1.2, 1.5, 2.0 kHz)	85 ± 2	dB(A)
DISTORTION (MAX.)	7%	-
RESONANT FREQUENCY	350 ± 20%	Hz
FREQUENCY RANGE	350 ~ 20,000	Hz
HOUSING MATERIAL	METAL	-
CONE MATERIAL	PAPER	-
MAGNET MATERIAL	Nd-Fe-B	-
OPERATING TEMPERATURE	-10 ~ +55	°C
WEIGHT	42	grams


THIS DOCUMENT CONTAINS DATA PROPRIETARY TO PROJECTS UNLIMITED, INC. ANY USE OR REPRODUCTION, IN ANY FORM, WITHOUT PRIOR WRITTEN PERMISSION OF PROJECTS UNLIMITED, INC. IS PROHIBITED.
©2003, Projects Unlimited Inc.

REVISION HISTORY			
LTR	DESCRIPTION	DATE	APPROVED
-	RELEASED FROM ENGINEERING	7/05/2006	
A	REVISED TO INVENTOR 3-D DRAWING TEMPLATE	6/24/2008	B.R.



NOTES:

1. ALL DIMENSIONS ARE IN MILLIMETERS.
2. SPECIFICATIONS SUBJECT TO CHANGE OR WITHDRAWAL WITHOUT NOTICE.
3. THIS PART IS RoHS 2002/95/EC COMPLIANT.

UNLESS OTHERWISE SPECIFIED: DIMENSIONS ARE IN MILLIMETERS, TOLERANCES ARE ±0.5 AND ANGLES ARE ±3°.	SIZE	Designed by	Date	Checked by	Date	Approved by	Date	Drawn Date	
	A3	J.D.	7/4/2006	E.P.	7/4/2006	B.R.	7/4/2006	6/24/2008	
AS07108PO-2-R.idw			AS07108PO-2-R			Speaker		Edition -	Sheet 1 / 1